

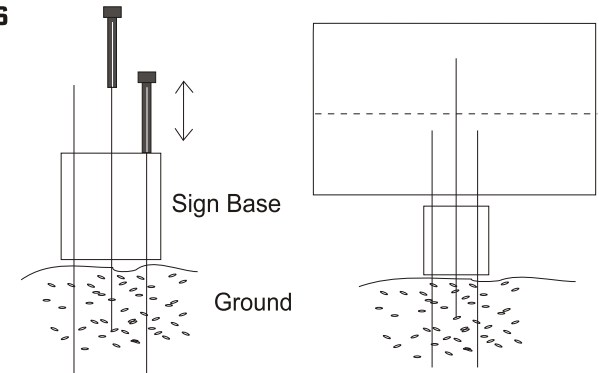
SKIRT STAND INSTALLATION GUIDE

3 ROD SKIRT STAND 16"X12"

FOR 32"X48" & 2'X4' SIGNS

Gloves are provided to keep hands clean while handling the support rods.
The post pounder* operates by sliding the pounder over the rod with a firm downward motion.

- 1) Find a suitable location with a fairly level surface to place your sign base.
- 2) Slide a steel rod into fourth hole from the outside edge of the sign base. Drive the rod into the ground, stopping just before the pounder touches the base. Find the fourth hole from the opposite side of the base and drive the second steel rod through, again stopping just before the pounder touches the base.
- 3) Slide the third rod into the twelfth hole from either of the first two rods. Drive the third rod into that hole. Stop when the bottom of the pounder is even with the top of the first two rods of the sign.
- 4) Center the sign with the center rod and slide the unfolded sign down to the base.

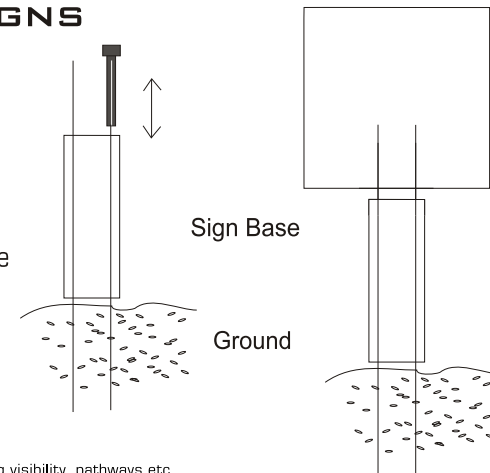


2 ROD SKIRT STAND 24"X6"

FOR 18"X24" & 2'X2' SIGNS

Gloves are provided to keep hands clean while handling the support rods.
The post pounder* operates by sliding the pounder over the rod with a firm downward motion.

- 1) Find a suitable location with a fairly level surface to place your sign base.
- 2) Slide a steel rod into second hole from the outside edge of the sign base. Drive the rod into the ground, stopping just before the pounder touches the base. Find the second hole from the opposite side of the base and drive the second steel rod through, again stopping just before the pounder touches the base.
- 3) Visually align the center of the sign marking with the rods and slide the sign down to the base.



Warning: Wear safety equipment including leather gloves and eye protection. Due care should be taken to avoid blocking visibility, pathways etc.

Consult the proper authorities prior to installing the sign to insure there are no underground hazards, obstacles, utilities, pipes, etc.. There may be local regulations regarding the use of these signs.

*post pounder - sold separately